

Assembly Instructions

Cinefold Portable Projection Screen by Draper

Caution

- ① Read instructions through completely before proceeding; retain for future reference.
- ② Handle viewing surface with care; do not allow it to come in contact with sharp or dirty objects.
- ③ Use Handy Cranks provided; failure to do so may lead to screen damage.
- ④ Make sure screen is level.
- ⑤ Do not write on viewing surface.

Frame/Screen Assembly

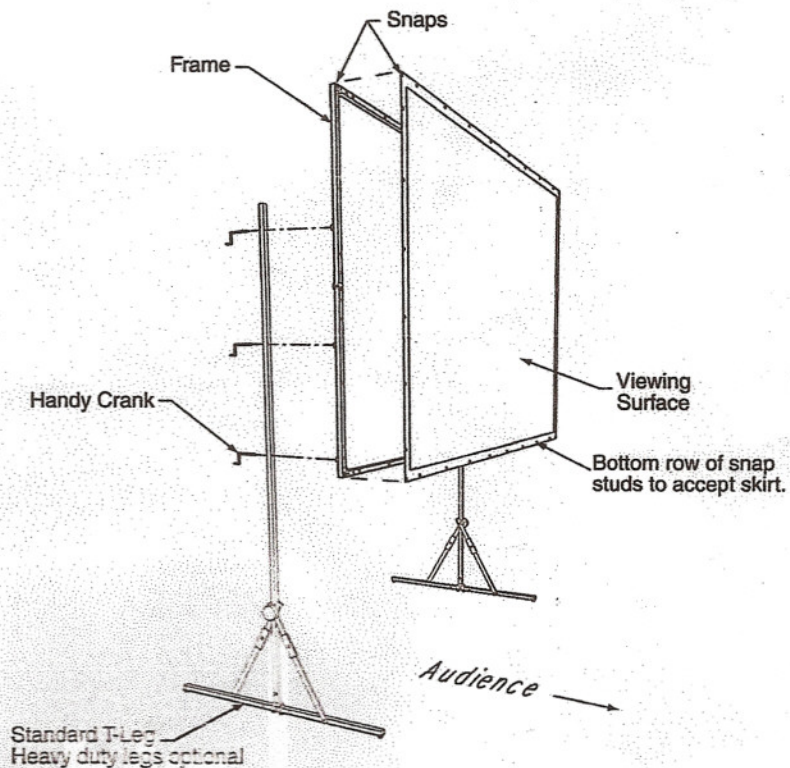
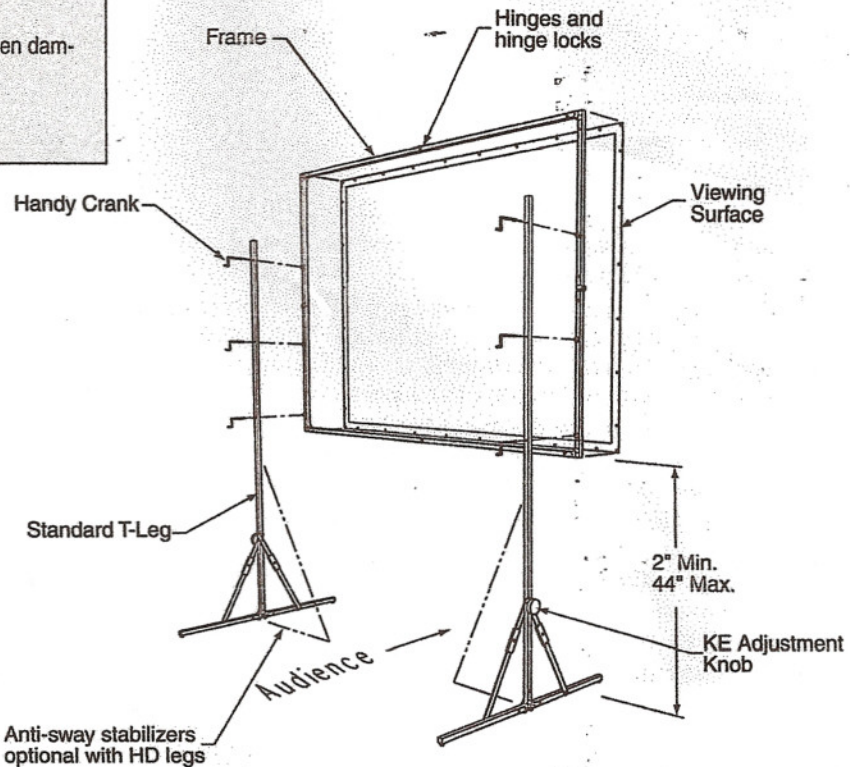
- ① Open carrying case and remove pouch containing screen surface, and three aluminum assemblies. The largest package is the frame. Unwrap and unfold it completely in one direction only, locking all hinges. Frame should lie with snaps facing up.
- ② Remove surface from its envelope. With male snaps at bottom, snap surface to frame. Begin at the 4 corners, and work across the bottom, up the sides, and across the top. Make sure snaps are secure.

Please note: For steps 3-5, screen should remain on floor or table, with surface facing up. Carefully lift screen from floor or table to complete each step.

- ③ Lock corner braces.
- ④ Unfold leg assemblies and lock hinges. Check that adjustment knob is in the hole desired (upper for vertical screen position, lower for keystone elimination). DO NOT unfold feet at this time.
- ⑤ Attach legs to back side of vertical frame sections, as indicated by the color coded markings, using Handy Cranks. For standard screen height, match colored tapes exactly. Height is adjustable in 6" increments.
- ⑥ Raise Cinefold to a vertical position and unfold feet. Tighten adjustment knobs to maintain legs at desired angle. If your screen includes Heavy-Duty Legs, unfold and lock the extensions on the backs of the feet, hinge up to the backs of the leg, and attach with Handy Crank.
- ⑦ If Anti-Sway stabilizers are supplied with your screen, refer to illustration and attach with Handy Cranks.

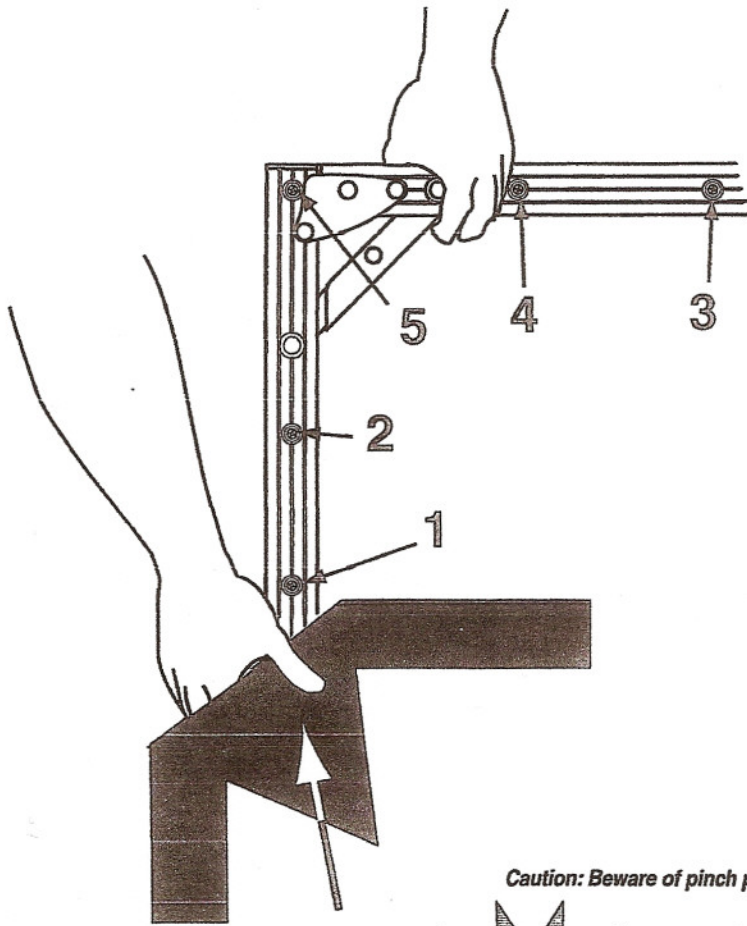
A Note About Surfaces

- ① Always fold with snaps face-to-face. Do not permit screen fabric to contact border material or snaps when folded. Store in pouch provided.
- ② Take care at all times not to permit Cinefold viewing surface to contact any dusty or dirty area, nor any varnished or painted object.
- ③ When necessary, clean Cinefold viewing surface with mild soap and water. USE NO SOLVENTS! Surface must be completely dry before folding.

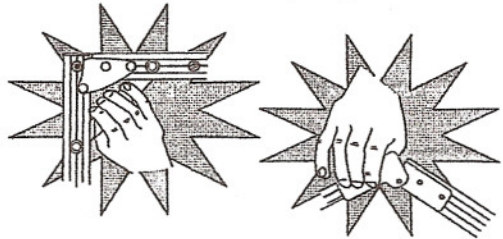


Snap Instructions Folding Screens by Draper

If you are having difficulty attaching the viewing surface to your folding screen, try attaching using the order of snap attachment in the below drawing.



Caution: Beware of pinch points.



For removal of the screen, reverse the steps and take each snap pin off individually. Be careful when removing snaps to not rip the fabric.